



Nobelstraat 43
3846 CE Harderwijk
The Netherlands

Phone: +31 341 - 436700
Fax: +31 341 - 436701
www.qimarox.com
info@qimarox.com

Ordernumber:

Project description:

Customer attribute:

Serial number:

Year of construction:

Metering belt

Example

2014

Customer:

City:

Country:

End customer:

City:

Country:

Qimarox

Harderwijk

The Netherlands

Special feature:

-

Power supply:

3~400V - 50Hz

Control voltage:

24VDC

According to:

NEN-EN-IEC 60204-1: 2006

Project start:

18-12-2013

Project end:

Last time edited:

13-11-2014

Version number:

V1.0

Number of pages:

13

Title page

Higher-level function: A General

Mounting location:

Table of contents

Higher-level function		Mounting location		Page description	Page	Date	Last time edited	Edited by
A	General			Cover sheet	1	13-11-2014	13-11-2014	DSP
				Title page	2	13-11-2014	13-11-2014	DSP
				Table of contents	3	13-11-2014	13-11-2014	DSP
DB	Metering belt	S	Standard	Title page	1	13-11-2014	13-11-2014	DSP
		S	Standard	Layout metering belt	15	13-11-2014	13-11-2014	DSP
		S	Standard	Metering belt	100	13-11-2014	13-11-2014	DSP
		S	Standard	Field components	500	13-11-2014	13-11-2014	DSP
		S	Standard	Parts list	2000	13-11-2014	13-11-2014	DSP
		SB	Bi-directional	Title page	1	13-11-2014	13-11-2014	DSP
		SB	Bi-directional	Layout metering belt bi-directional	15	13-11-2014	13-11-2014	DSP
		SB	Bi-directional	Metering belt	100	13-11-2014	13-11-2014	DSP
		SB	Bi-directional	Field components	500	13-11-2014	13-11-2014	DSP
		SB	Bi-directional	Parts list	2000	13-11-2014	13-11-2014	DSP



Customer
Qimarox
 Harderwijk
 The Netherlands

Type
 Metering belt

Customer attribute
 Example

Ordernumber

Serial number

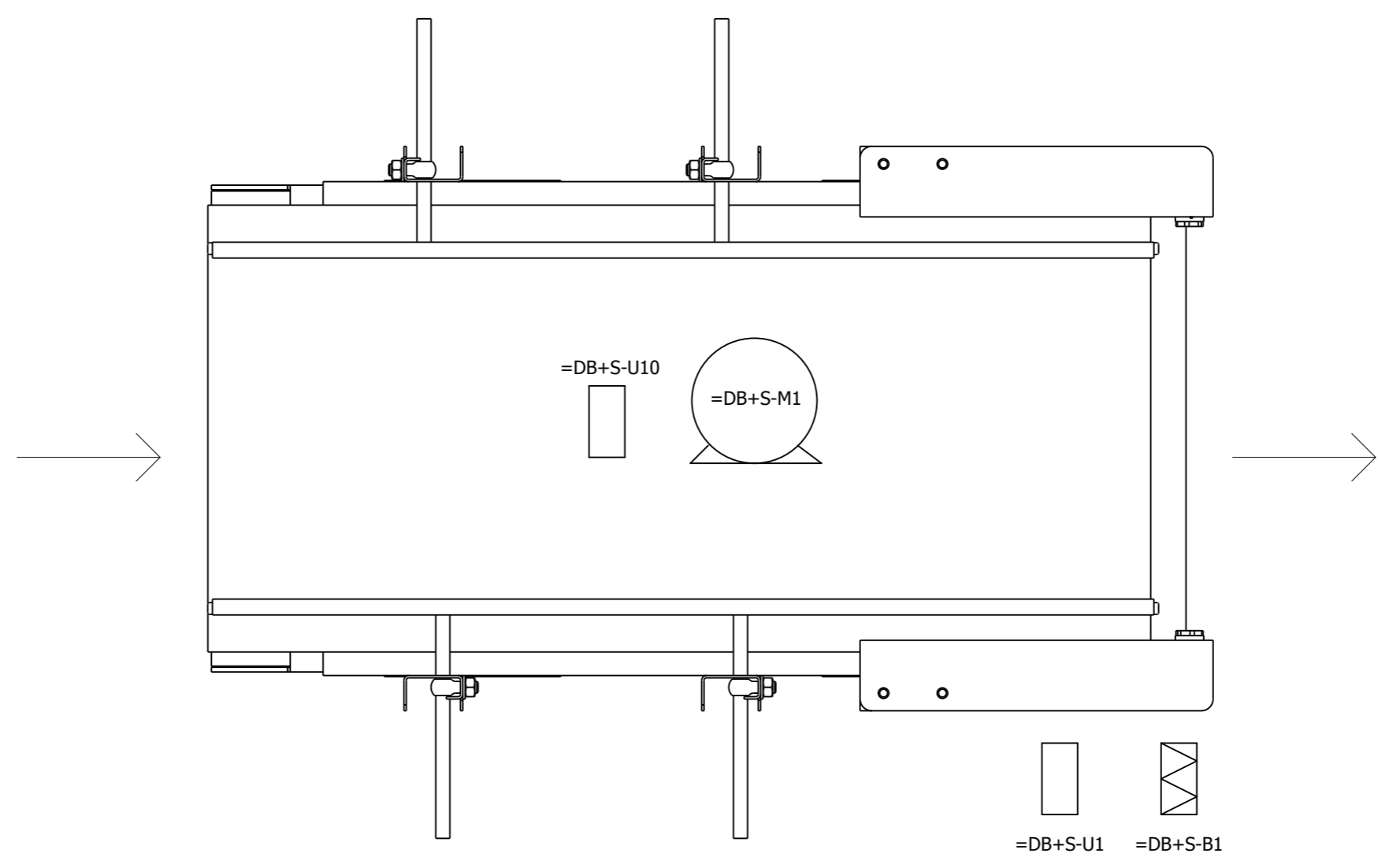
Description
 Table of contents

Date	13-11-2014	= A
Ed.	DSP	+
		Page
		3

Title page

Higher-level function: DB Metering belt

Mounting location: S Standard



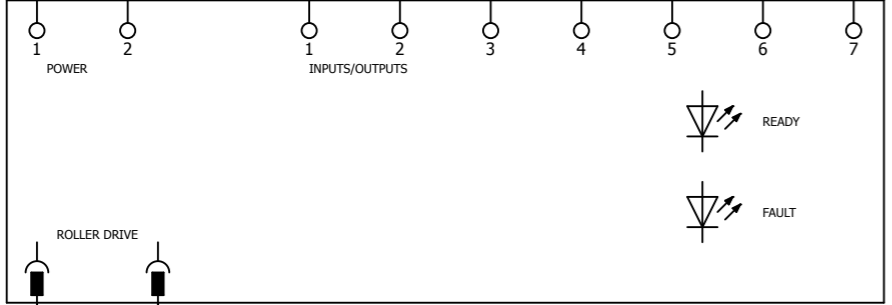
LEGEND:

- =DB+S-M1 METERING BELT
- =DB+S-U10 DRIVE CONTROL METERING BELT

- =DB+S-B1 PRODUCT END METERING BELT
- =DB+S-B1-W1 1 m PVC-OB 4x0,25mm²

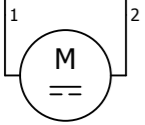
- =DB+S-U1 T-COUPLER METERING BELT
- =DB+S-U1-W1 5 m PVC-OB 4x0,34mm²

=DB+S-U10

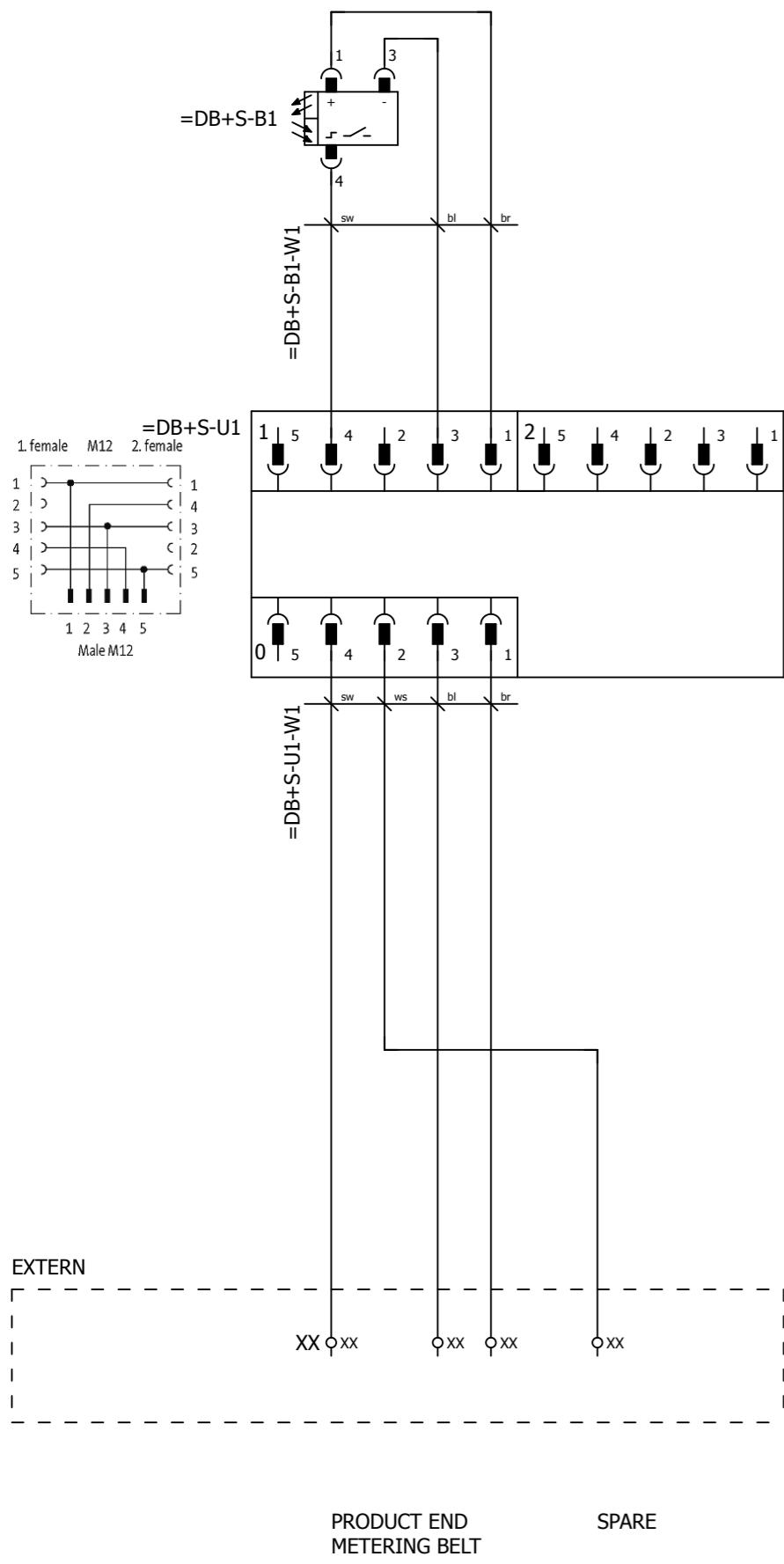


- POWER:
1. SUPPLY +24VDC
 2. GND
- INPUTS/OUTPUTS:
1. COMMON GROUND
 2. POWER SUPPLY +24VDC (FAILURE)
 3. FAILURE
 4. DIRECTION
 5. SPEED C
 6. SPEED B
 7. SPEED A

=DB+S-M1



METERING BELT



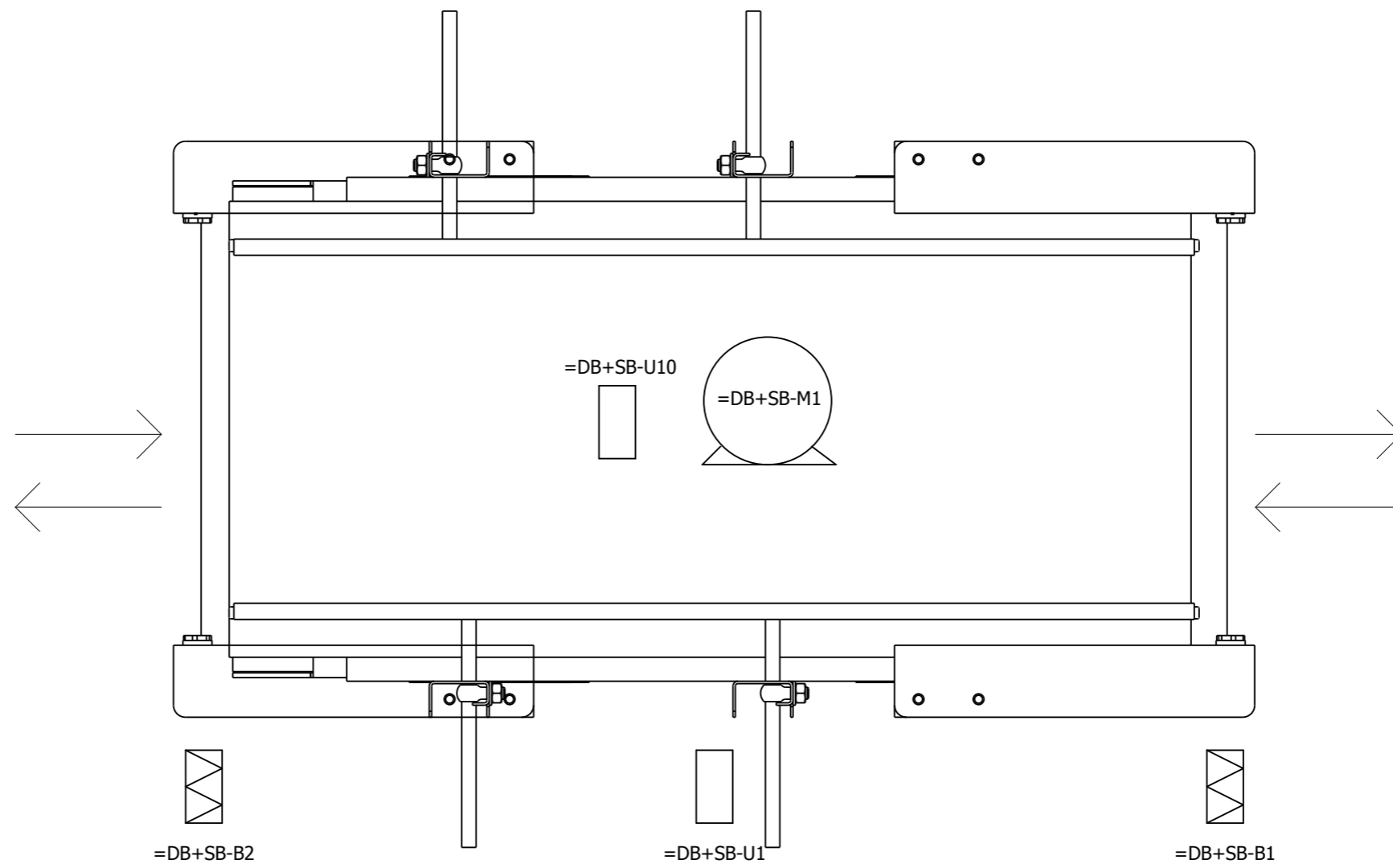
Parts list

Position	Quantity	Article number	Discription
-B1	1	1002097	Reflex sensor
-B1	1	1002242	Reflector
-B1-W1	1	1003307	Prefab cable, PVC, 1 meter, connector M12 male + female M8 straight, 4-pole
-M1	1		DC motor, Drive see mechanical part list
-U1	1	1003313	T-Coupler 5p Male M12 / 2x 4p Female M12
-U1-W1	1	1001326	Prefab cable, PVC, 5 meter, connector M12 male 90°+ M12 female 90°, 4-pole
-U10	1	1000058	Drive controll DC20, IP20

Title page

Higher-level function: DB Metering belt

Mounting location: SB Bi-directional



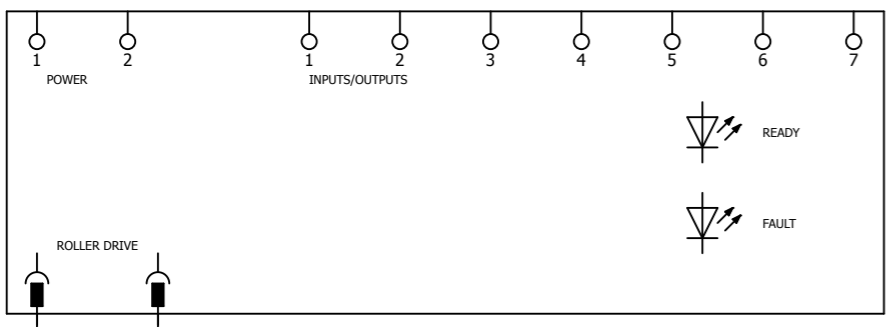
LEGEND:

- =DB+SB-M1 METERING BELT
- =DB+SB-U10 DRIVE CONTROL METERING BELT

- =DB+SB-B1 PRODUCT END INFEEED METERING BELT
- =DB+SB-B1-W1 1 m PVC-OB 4x0,25mm²
- =DB+SB-B2 PRODUCT END OUTFEED METERING BELT
- =DB+SB-B2-W1 1 m PVC-OB 4x0,25mm²

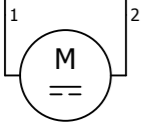
- =DB+SB-U1 T-COUPLER METERING BELT
- =DB+SB-U1-W1 5 m PVC-OB 4x0,34mm²

=DB+SB-U10

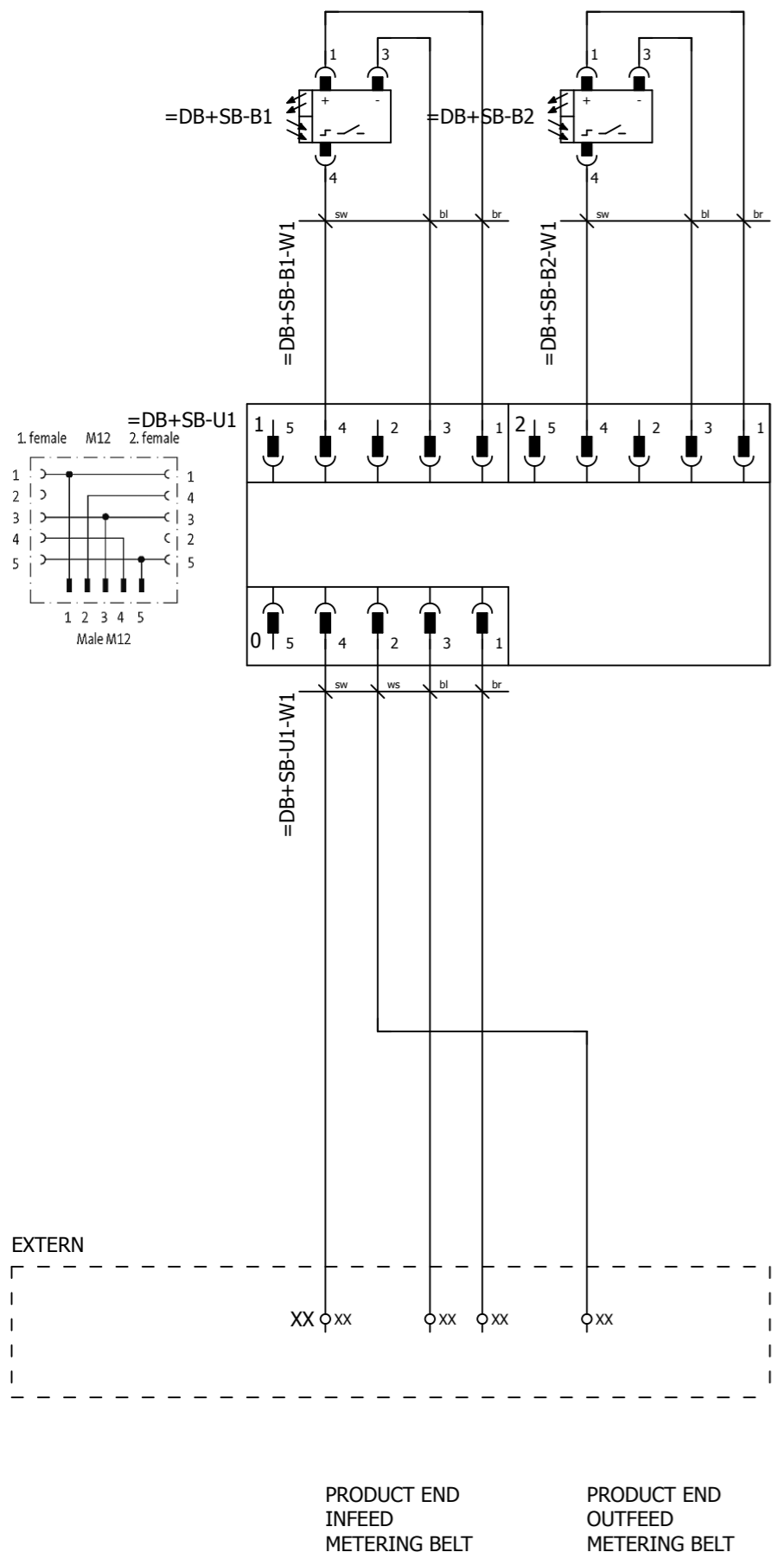


- POWER:
1. SUPPLY +24VDC
 2. GND
- INPUTS/OUTPUTS:
1. COMMON GROUND
 2. POWER SUPPLY +24VDC (FAILURE)
 3. FAILURE
 4. DIRECTION
 5. SPEED C
 6. SPEED B
 7. SPEED A

=DB+SB-M1



METERING BELT



Parts list

Position	Quantity	Article number	Discription
-B1	1	1002097	Reflex sensor
-B1	1	1002242	Reflector
-B1-W1	1	1003307	Prefab cable, PVC, 1 meter, connector M12 male + female M8 straight, 4-pole
-B2	1	1002097	Reflex sensor
-B2	1	1002242	Reflector
-B2-W1	1	1003307	Prefab cable, PVC, 1 meter, connector M12 male + female M8 straight, 4-pole
-M1	1		DC motor, Drive see mechanical part list
-U1	1	1003313	T-Coupler 5p Male M12 / 2x 4p Female M12
-U1-W1	1	1001326	Prefab cable, PVC, 5 meter, connector M12 male 90°+ M12 female 90°, 4-pole
-U10	1	1000058	Drive controll DC20, IP20